



2026/5

PRODUCT
CATALOGUE



glazdowski studio

Content

About	03
Pre-wall installation systems	05
Toilet block dispenser	09
Flush plates	11
Inlet and flush valves	18
Toilet cisterns and toilet seats	22
Accessories	26
Dispensers.....	27

Pictures in the catalogue may differ from the actual product available for purchase.



KK-POL is a family company which was established in 1994. Since then KK-POL has been building its position in Polish market as a producer of sanitary equipment and accessories.

At present, as an indisputable leader in manufacturing flush and inlet valves, the company is putting greater focus on developing the production of pre-wall installation systems.

KK-POL, owing to its two production plants in Poland manufacturing pre-wall installation systems and plates, took European markets by storm becoming one of the leading manufacturers in the sanitary ware market.

- **Production Plant No. 1 in Stanisławów Pierwszy** was launched in 2002. The plant, including the warehouse and the office area, was modernized and expended in 2007.
- **Production Plant No. 2 in Majdan** was launched in 2012. It covers an area of 10 000 m², including 4 000 m² of office area and manufacturing facilities. Starting up a new plant enabled the company to expand the range of products which then included not only valves and pre-wall installation systems but also toilet seats and cisterns. In 2016 the facility was enlarged by additional 20 000 m² increasing the company's potential for development. In 2020, we added another 2,000 m² of finished goods warehouse.





The high-quality
pre-wall installation systems



KK-POL pre-wall installation systems

Pre-wall installation KK-POL systems have taken Polish market by storm. The key to its success lies in the fact that they offer functionality and the highest quality at competitive prices. Continuous brand expansion allows us to offer our customers seven models of pre-wall installation systems for WC as well as bidet installation frames, urinal installation frames and basin installation frames, and accessories. With wide range of KK-POL sanitary products you are sure to find the right solution for your bathroom. It is worth noting that KK-POL installation frames are manufactured in Poland.

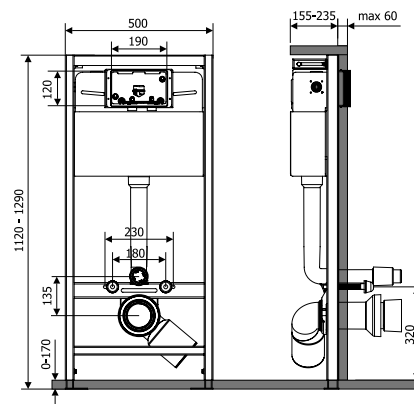




PRE-WALL INSTALLATION SYSTEM FOR WC WH KK-POL PREMIUM

- Dual flush cistern (3/6 litres) with Water Stop function
- The largest frame of all Aquafiori frames
- Top or left side brass water supply connection
- Cistern fully insulated against condensation
- Adjustable bend DN 90/110 (4/22/40 mm)

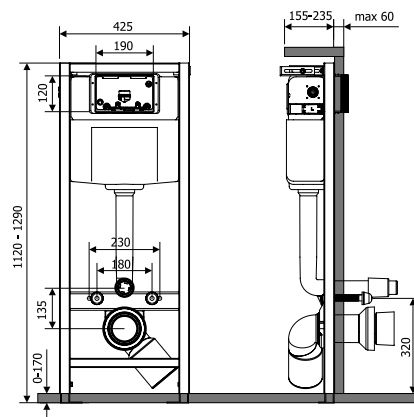
adjustable height	1120 - 1290 mm
widht	500 mm
adjustable depth	155 - 235 mm
weight	13,5 kg
distance between bolts	18 / 23 cm
ultra silent valves	yes
damping pad	yes
brass cut-off valve	yes
type of cistern	monolith blow technology
Symbol	350/ZPW/500-00-P0



PRE-WALL INSTALLATION SYSTEM FOR WC WH KK-POL STANDARD

- Dual flush cistern (3/6 litres)
- Top or left side brass water supply connection
- Cistern fully insulated against condensation
- Adjustable bend DN 90/110 (4/22/40 mm)

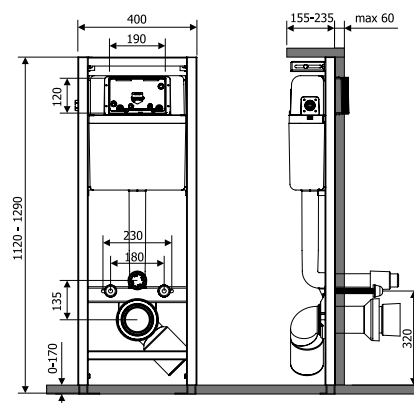
adjustable height	1120 - 1290 mm
widht	425 mm
adjustable depth	155 - 235 mm
weight	12 kg
distance between bolts	18 / 23 cm
ultra silent valves	yes
damping pad	no
brass cut-off valve	yes
type of cistern	monolith blow technology
Symbol	350/ZPW/425-00-S0



PRE-WALL INSTALLATION SYSTEM FOR WC WH KK-POL ECONOMIC

- Dual flush cistern (3/6 litres)
- Brass water supply connection allows water connection on both sides of the frame
- Insulated cistern prevents condensation
- Adjustable bend DN 90/110 (4/22/40 mm)

adjustable height	1120 - 1290 mm
widht	400 mm
adjustable depth	155 - 235 mm
weight	11,8 kg
distance between bolts	18 / 23 cm
ultra silent valves	yes
damping pad	no
brass cut-off valve	yes
type of cistern	two-piece injection technology
Symbol	350/ZPW/400-00-E0

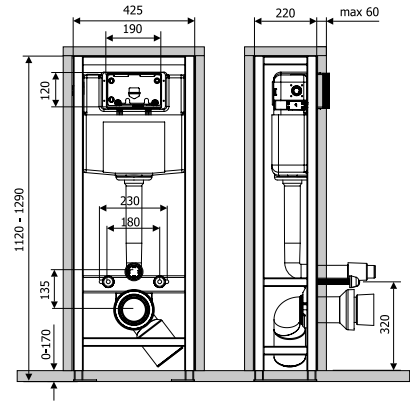




**PRE-WALL INSTALLATION SYSTEM FOR WC WH
KK-POL PROFESSIONAL FREESTANDING**

- Floor mounted frame with, the smallest in the market, monolithic cistern made by blow moulding
- Top or left side water supply connection
- 3 or 6 litres flush, flush volume adjustment and Water Stop function
- Simple maintenance
- Adjustable bend DN 90/110 (4/22/40 mm)

adjustable height	1120 - 1290 mm
widht	425 mm
depth	220 mm
weight	19 kg
distance between bolts	18 / 23 cm
ultra silent valves	yes
damping pad	no
brass cut-off valve	yes
type of cistern	monolith blow technology
Symbol	350/ZPW/428-00-00

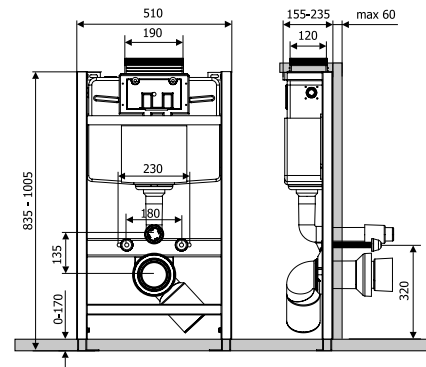


**PRE-WALL INSTALLATION SYSTEM FOR WC WH
KK-POL PROFESSIONAL LOW HIGH**

- Reliable, functional, reasonably priced
- Top mounted flush button
- 3 or 6 litres flush, flush volume adjustment and Water Stop function
- Top or left side water supply connection
- Silent operation and simple maintenance
- Adjustable bend DN 90/110 (4/22/40 mm)



adjustable height	835 - 1005 mm
widht	510 mm
adjustable depth	155 - 235 mm
weight	11,5 kg
distance between bolts	18 / 23 cm
ultra silent valves	yes
damping pad	no
brass cut-off valve	yes
type of cistern	monolith blow technology
Symbol	350/ZPW/511-00-00

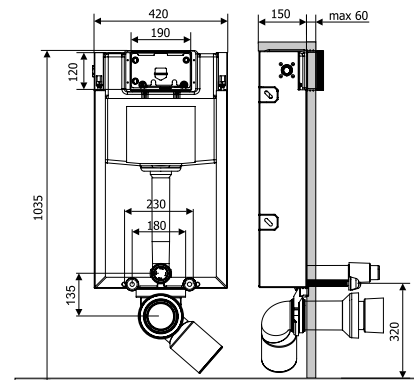


**PRE-WALL INSTALLATION SYSTEM FOR WC WH
FOR BUILDING INTO SOLID WALLS
KK-POL PROFESSIONAL**

- Dual flush cistern (3/6 litres) with Water Stop function
- Top or left side brass water supply connection
- Insulated cistern prevents condensation



height	1035 mm
widht	420 mm
depth	150 mm
weight	8 kg
distance between bolts	18 / 23 cm
ultra silent valves	yes
damping pad	no
brass cut-off valve	yes
type of cistern	monolith blow technology
Symbol	350/ZPW/426-00-00

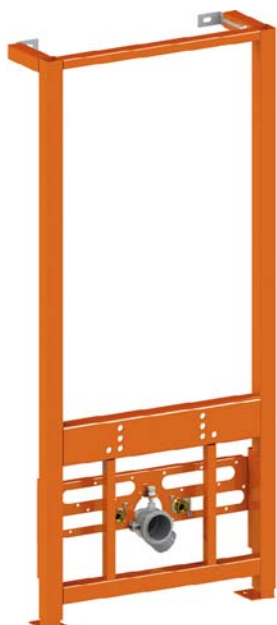
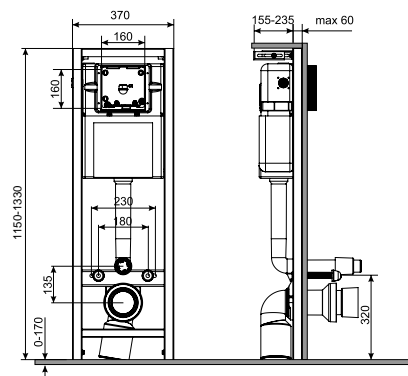




PRE-WALL INSTALLATION SYSTEM FOR WC WH KK-POL UNI

- The narrowest frame of KK-POL with the smallest monolit cistern on market
- Dual flush cistern (3/6 litres) with Water Stop function
- Top or left side brass water supply connection
- Cistern insulated against condensation

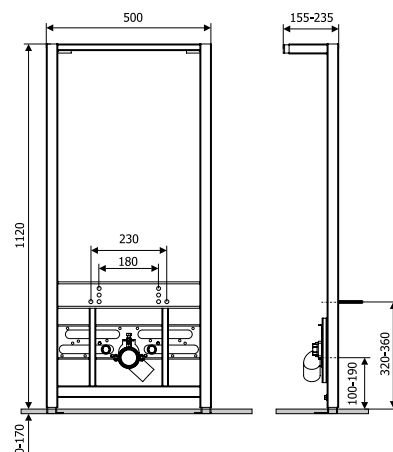
adjustable height	1150 - 1330 mm
widht	370 mm
adjustable depth	155 - 235 mm
weight	11,5 kg
distance between bolts	18 / 23 cm
ultra silent valves	yes
damping pad	no
brass cut-off valve	yes
type of cistern	monolith blow technology
Symbol	350/ZPW/370-00-00



BIDET INSTALLATION FRAME KK-POL

- Fits most brands of sanitary ceramics
- Metal fixture carrier
- Two brass G 1/2" connectors
- For drywall construction

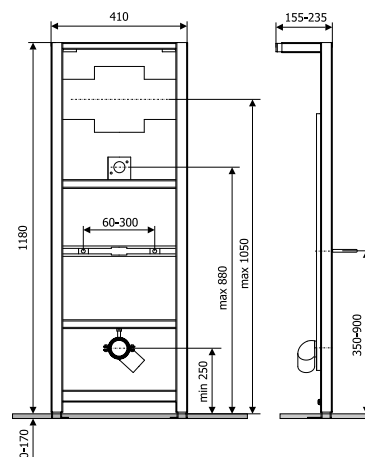
adjustable height	1120 - 1290 mm
widht	500 mm
adjustable depth	155 - 235 mm
weight	11,5 kg
easy installation	yes
Symbol	350/ZPB/706-00-00



URINAL INSTALLATION FRAME KK-POL

- Fits most brands of sanitary ceramics
- Metal fixture carrier
- Brass G 1/2" connector
- Designed for drywall construction

adjustable height	1180 - 1350 mm
widht	410 mm
adjustable depth	155 - 235 mm
weight	12,6 kg
easy installation	yes
Symbol	350/ZPP/711-00-00

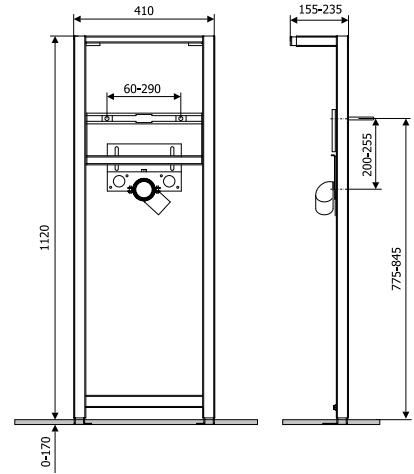




WASH BASIN INSAL INSTALLATION FRAME KK-POL

- Fits most brands of sanitary ceramics
- Metal fixture carrier
- Two brass G 1/2" connectors
- For drywall construction

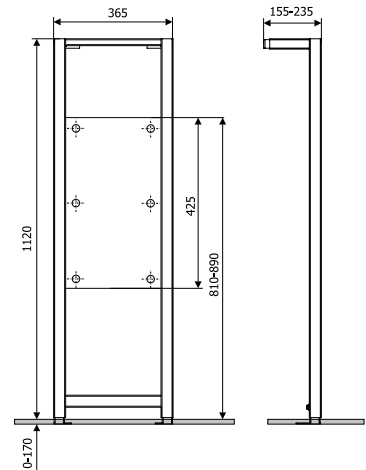
adjustable height	1120 - 1290 mm
widht	410 mm
adjustable depth	155 - 235 mm
weight	9,7 kg
easy installation	yes
Symbol	350/ZPU/705-00-00



HANDLE INSTALLATION FRAME KK-POL

- Equipped with a wooden fixture carrier for mounting either support rails or urinal screens
- Special plywood panel

adjustable height	1120 - 1290 mm
widht	365 mm
adjustable depth	155 - 235 mm
weight	11 kg
easy installation	yes
Symbol	350/ZPM/716-00-00



DEDICATED ACCESSORIES FOR WC FLUSH-MOUNTED CISTERNS

TOILET BLOCK DISPENSER



It facilitates application of refreshing toilet blocks. It is intended for all types of wall-hung bowls, and in particular for flangeless toilet bowls.

Water Fresh

designed for WC frame:	Economic, Standard, Premium, Freestanding, for building into solid walls
Symbol	350/A/005-00-B0

CHOKE

They limit the dynamics of the water in the rinsing pipe and eliminate water splashing in wall-hung rimless toilet bowls.



designed for WC frame:	Standard, Premium, Freestanding, for building into solid walls and for low high	Economic
Symbol	350/SP0/035-00-Z0	350/SP1/039-00-Z0



Style

and the highest quality

Flush plates



KK-POL offers a wide range of flush plates for pre-wall installation systems for WC WH. They are made of different materials and available in various colours and scratch resistant coatings. Selected models are made of natural walnut and teak wood.



Dekor Grande plates series allows you to customize colours and it offers wide range of materials and surface finishes.



Vitrum Grande plates series allows SLIM mounting which means that the mechanism is recessed into the wall and its edges protrude just 4 millimetres from the wall. It ensures high aesthetic and helps maintain cleanliness. The solution offered by KK-POL remains one of the best in the sanitary ware market.



VITRUM GRANDE V1



- Safety glass frames
- Standard or SLIM mounting
- Models with wooden flush plates
- Shiny chrome button edges

	colour of plate	shiny black
	colour of buttons	shiny black
	size: Hi. x W. x D.	175 x 245 x 4 mm
	SLIM mounting	yes
	Symbol	350/PPC/101-00-00

	colour of plate	shiny white
	colour of buttons	shiny white
	size: Hi. x W. x D.	175 x 245 x 4 mm
	SLIM mounting	yes
	Symbol	350/PPB/097-00-00

	colour of plate	shiny white
	colour of buttons	satin mat
	size: Hi. x W. x D.	175 x 245 x 4 mm
	SLIM mounting	yes
	Symbol	350/PPB/183-00-00

	colour of plate	shiny white
	colour of buttons	teakwood mat
	size: Hi. x W. x D.	175 x 245 x 4 mm
	SLIM mounting	yes
	Symbol	350/PPB/178-00-00

	colour of plate	shiny white
	colour of buttons	walnut mat
	size: Hi. x W. x D.	175 x 245 x 4 mm
	SLIM mounting	yes
	Symbol	350/PPB/177-00-00

	colour of plate	shiny black
	colour of buttons	shiny white
	size: Hi. x W. x D.	175 x 245 x 4 mm
	SLIM mounting	yes
	Symbol	350/PPC/170-00-00

	colour of plate	shiny black
	colour of buttons	satin mat
	size: Hi. x W. x D.	175 x 245 x 4 mm
	SLIM mounting	yes
	Symbol	350/PPC/184-00-00

	colour of plate	shiny black
	colour of buttons	teakwood mat
	size: Hi. x W. x D.	175 x 245 x 4 mm
	SLIM mounting	yes
	Symbol	350/PPC/195-00-00

	colour of plate	shiny black
	colour of buttons	walnut mat
	size: Hi. x W. x D.	175 x 245 x 4 mm
	SLIM mounting	yes
	Symbol	350/PPC/171-00-00

VITRUM GRANDE V3



- Safety glass frames
- Standard or SLIM mounting
- Shiny golden button edges

	colour of plate	shiny black
	colour of buttons	shiny black
	size: Hi. x W. x D.	175 x 245 x 4 mm
	SLIM mounting	yes
	Symbol	350/PPC/017-00-05

	colour of plate	shiny white
	colour of buttons	shiny white
	size: Hi. x W. x D.	175 x 245 x 4 mm
	SLIM mounting	yes
	Symbol	350/PPB/043-00-05

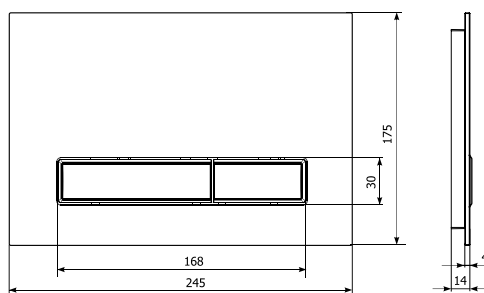
VITRUM GRANDE V4



- Safety glass frames
- Standard or SLIM mounting
- Golden mat button edges

	colour of plate	shiny black
	colour of buttons	shiny black
	size: Hi. x W. x D.	175 x 245 x 4 mm
	SLIM mounting	yes
	Symbol	350/PPC/020-00-06

	colour of plate	shiny white
	colour of buttons	shiny white
	size: Hi. x W. x D.	175 x 245 x 4 mm
	SLIM mounting	yes
	Symbol	350/PPB/046-00-06

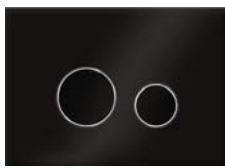


The letter „V“ in the names means buttons with chrome or gold rims.

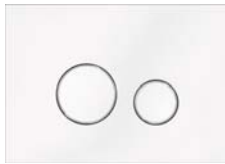
VITRUM GRANDE V1 ORBIS



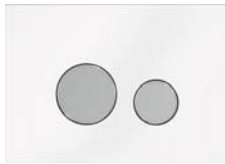
- Safety glass frames
- Standard or SLIM mounting
- Models with wooden flush plates
- Shiny chrome button edges



colour of plate	shiny black
colour of buttons	shiny black
size: Hi. x W. x D.	175 x 245 x 4 mm
SLIM mounting	yes
Symbol	350/PPC/182-00-00



colour of plate	shiny white
colour of buttons	shiny white
size: Hi. x W. x D.	175 x 245 x 4 mm
SLIM mounting	yes
Symbol	350/PPB/181-00-00



colour of plate	shiny white
colour of buttons	satin mat
size: Hi. x W. x D.	175 x 245 x 4 mm
SLIM mounting	yes
Symbol	350/PPB/185-00-00



colour of plate	shiny black
colour of buttons	shiny white
size: Hi. x W. x D.	175 x 245 x 4 mm
SLIM mounting	yes
Symbol	350/PPC/191-00-00



colour of plate	shiny black
colour of buttons	satin mat
size: Hi. x W. x D.	175 x 245 x 4 mm
SLIM mounting	yes
Symbol	350/PPC/186-00-00

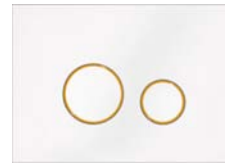
VITRUM GRANDE V3 ORBIS



- Ramki z hartowanego szkła
- Montaż SLIM lub standardowy
- Obwódka przycisków w kolorze złoty połysk



colour of plate	shiny black
colour of buttons	shiny black
size: Hi. x W. x D.	175 x 245 x 4 mm
SLIM mounting	yes
Symbol	350/PPC/019-00-05



colour of plate	shiny white
colour of buttons	shiny white
size: Hi. x W. x D.	175 x 245 x 4 mm
SLIM mounting	yes
Symbol	350/PPB/045-00-05

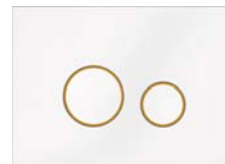
VITRUM GRANDE V4 ORBIS



- Ramki z hartowanego szkła
- Montaż SLIM lub standardowy
- Obwódka przycisków w kolorze złoty mat

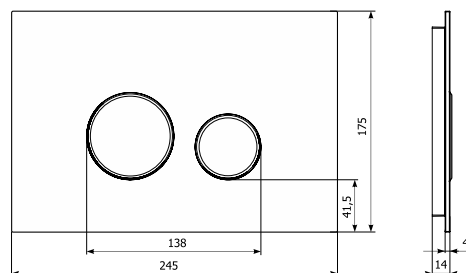
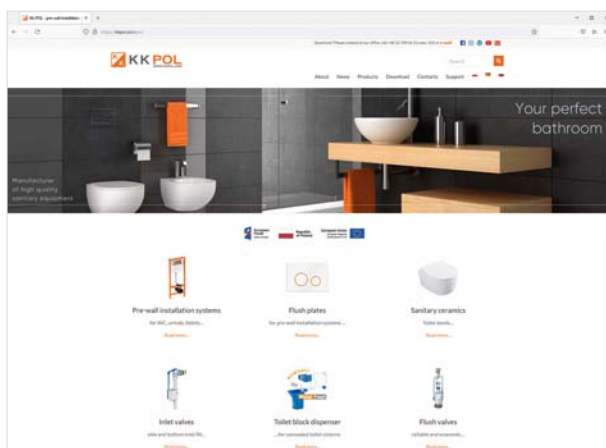


colour of plate	shiny black
colour of buttons	shiny black
size: Hi. x W. x D.	175 x 245 x 4 mm
SLIM mounting	yes
Symbol	350/PPC/020-00-06



colour of plate	shiny white
colour of buttons	shiny white
size: Hi. x W. x D.	175 x 245 x 4 mm
SLIM mounting	yes
Symbol	350/PPB/046-00-06

kkpol.com/en/



The letter „V” in the names means buttons with chrome or gold rims.

LAPIS GRANDE V1



- Quartz sintered frames
- Standard or SLIM mounting
- Shiny chrome button edges

	colour of plate	Nero Greco
	colour of buttons	Nero Greco
	size: Hi. x W. x D.	175 x 245 x 4 mm
	SLIM mounting	yes
	Symbol	350/PPK/410-00-03

	colour of plate	Noir Desire
	colour of buttons	Noir Desire
	size: Hi. x W. x D.	175 x 245 x 4 mm
	SLIM mounting	yes
	Symbol	350/PPK/411-00-03

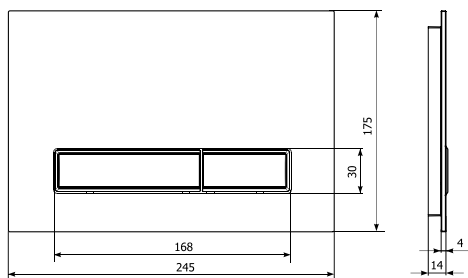
	colour of plate	Pietra Antracite
	colour of buttons	Pietra Antracite
	size: Hi. x W. x D.	175 x 245 x 4 mm
	SLIM mounting	yes
	Symbol	350/PPK/412-00-03

	colour of plate	Pietra Grey
	colour of buttons	Pietra Grey
	size: Hi. x W. x D.	175 x 245 x 4 mm
	SLIM mounting	yes
	Symbol	350/PPK/413-00-03

	colour of plate	Pietra Grigia
	colour of buttons	Pietra Grigia
	size: Hi. x W. x D.	175 x 245 x 4 mm
	SLIM mounting	yes
	Symbol	350/PPK/414-00-03

	colour of plate	Pietra Perla
	colour of buttons	Pietra Perla
	size: Hi. x W. x D.	175 x 245 x 4 mm
	SLIM mounting	yes
	Symbol	350/PPK/415-00-03

	colour of plate	Statuarietto
	colour of buttons	Statuarietto
	size: Hi. x W. x D.	175 x 245 x 4 mm
	SLIM mounting	yes
	Symbol	350/PPK/416-00-03



LAPIS GRANDE V1 ORBIS



- Quartz sintered frames
- Standard or SLIM mounting
- Shiny chrome button edges

	colour of plate	Nero Greco
	colour of buttons	Nero Greco
	size: Hi. x W. x D.	175 x 245 x 4 mm
	SLIM mounting	yes
	Symbol	350/PPK/417-00-03

	colour of plate	Noir Desire
	colour of buttons	Noir Desire
	size: Hi. x W. x D.	175 x 245 x 4 mm
	SLIM mounting	yes
	Symbol	350/PPK/418-00-03

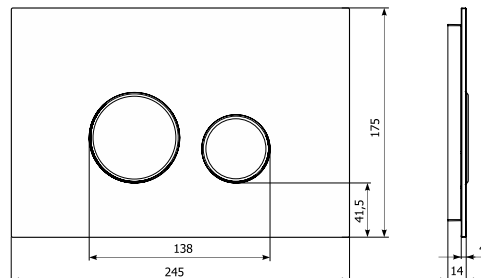
	colour of plate	Pietra Antracite
	colour of buttons	Pietra Antracite
	size: Hi. x W. x D.	175 x 245 x 4 mm
	SLIM mounting	yes
	Symbol	350/PPK/419-00-03

	colour of plate	Pietra Grey
	colour of buttons	Pietra Grey
	size: Hi. x W. x D.	175 x 245 x 4 mm
	SLIM mounting	yes
	Symbol	350/PPK/420-00-03

	colour of plate	Pietra Grigia
	colour of buttons	Pietra Grigia
	size: Hi. x W. x D.	175 x 245 x 4 mm
	SLIM mounting	yes
	Symbol	350/PPK/421-00-03

	colour of plate	Pietra Perla
	colour of buttons	Pietra Perla
	size: Hi. x W. x D.	175 x 245 x 4 mm
	SLIM mounting	yes
	Symbol	350/PPK/422-00-03

	colour of plate	Statuarietto
	colour of buttons	Statuarietto
	size: Hi. x W. x D.	175 x 245 x 4 mm
	SLIM mounting	yes
	Symbol	350/PPK/423-00-03



New in our offer - quartz sintered frames

It is an innovative material composed of natural materials: quartz, slate clays, granite rocks, and ceramic pigments. Pressed and fired at a temperature of 1220 degrees of Celcius, they create a very durable material with a surface resembling granite, slate, marble, travertine and concrete. They are very attractive, but also resistant to stains, scratches, abrasion, organic and inorganic solvents, disinfectants and detergents. The tiles are light and thin, so they will be a decoration of a modern toilet.

DEKOR GRANDE V1



- Dekor Grande V1 flush plates series allows you to customize the flush plate. You can choose from a variety of colours, materials and surface finishes. You can create your own, unique flush plate matching the design of your bathroom
- Standard or SLIM mounting
- Shiny chrome button edges



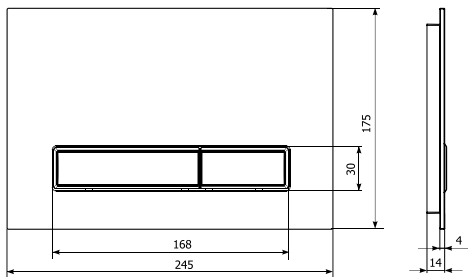
colour of plate	venge
colour of buttons	venge
size: Hi. x W. x D.	175 x 245 x 4 mm
SLIM mounting	yes
Symbol	350/PPN/137-00-00



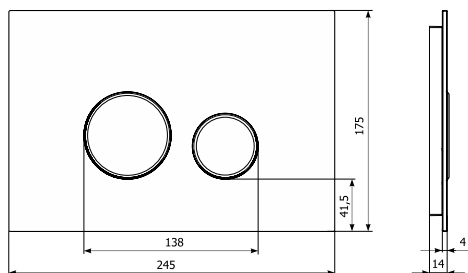
colour of plate	shiny red
colour of buttons	shiny chrome
size: Hi. x W. x D.	175 x 245 x 4 mm
SLIM mounting	yes
Symbol	350/PPL/138-00-00



colour of plate	navy blue
colour of buttons	shiny chrome
size: Hi. x W. x D.	175 x 245 x 4 mm
SLIM mounting	yes
on request	



colour of plate	shiny yellow
colour of buttons	shiny yellow
size: Hi. x W. x D.	175 x 245 x 4 mm
SLIM mounting	yes
on request	



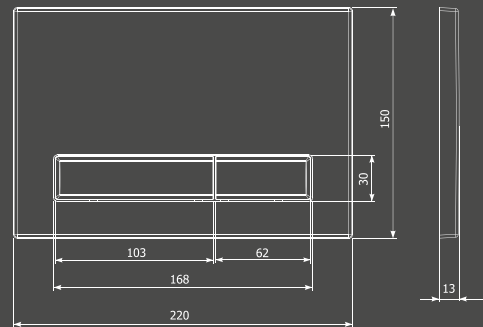
The letter „V” in the names means buttons with chrome or gold rims.

M08 ANTIVANDAL

- for pre-wall installation system for WC
- solid construction made of stainless steel
- suitable for public areas
- highly resistant to mechanical damage



colour of plate	stainless steel
colour of buttons	stainless steel
size: Hi. x W. x D.	150 x 220 x 13 mm
Sanitized [®] layer	no
Symbol	350/PPW/001-00-00



**HIGH RESISTANT
FLUSH PLATE for WC**



M08 V1



- Variety of colours
- Chrome button ring
- Models with wooden flush plates



colour of plate	black mat
colour of buttons	shiny white
size: Hi. x W. x D.	150 x 220 x 13 mm
Symbol	350/PPC/001-00-00



colour of plate	shiny chrome
colour of buttons	drewno orzech mat
size: Hi. x W. x D.	150 x 220 x 13 mm
Symbol	350/PPG/387-00-02



colour of plate	black mat
colour of buttons	black mat
size: Hi. x W. x D.	150 x 220 x 13 mm
Symbol	350/PPC/090-00-00



colour of plate	shiny chrome
colour of buttons	teakwood mat
size: Hi. x W. x D.	150 x 220 x 13 mm
Symbol	350/PPG/387-00-01



colour of plate	black mat
colour of buttons	satin mat
size: Hi. x W. x D.	150 x 220 x 13 mm
Symbol	350/PPC/102-00-A0



colour of plate	shiny white
colour of buttons	shiny white
size: Hi. x W. x D.	150 x 220 x 13 mm
Symbol	350/PPB/235-00-00



colour of plate	black mat
colour of buttons	walnut mat
size: Hi. x W. x D.	150 x 220 x 13 mm
Symbol	350/PPC/103-00-00



colour of plate	shiny white
colour of buttons	black mat
size: Hi. x W. x D.	150 x 220 x 13 mm
Symbol	350/PPB/386-00-00



colour of plate	black mat
colour of buttons	teakwood mat
size: Hi. x W. x D.	150 x 220 x 13 mm
Symbol	350/PPC/104-00-A1



colour of plate	shiny white
colour of buttons	satin mat
size: Hi. x W. x D.	150 x 220 x 13 mm
Symbol	350/PPB/385-00-00



colour of plate	shiny chrome
colour of buttons	shiny white
size: Hi. x W. x D.	150 x 220 x 13 mm
Symbol	350/PPC/388-00-00



colour of plate	shiny white
colour of buttons	walnut mat
size: Hi. x W. x D.	150 x 220 x 13 mm
Symbol	350/PPB/383-00-02



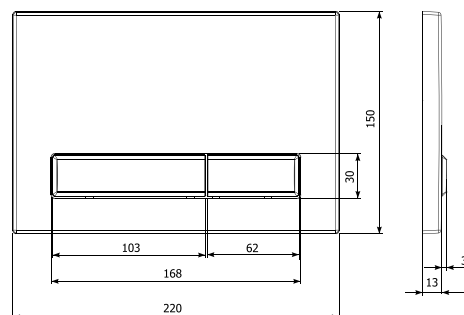
colour of plate	shiny chrome
colour of buttons	black mat
size: Hi. x W. x D.	150 x 220 x 13 mm
Symbol	350/PPG/390-00-00



colour of plate	shiny white
colour of buttons	teakwood mat
size: Hi. x W. x D.	150 x 220 x 13 mm
Symbol	350/PPB/383-00-01



colour of plate	shiny chrome
colour of buttons	satin mat
size: Hi. x W. x D.	150 x 220 x 13 mm
Symbol	350/PPG/389-00-00



The letter „V” in the names means buttons with chrome or gold rims.

M08 V3

- Made of plastic
- Shiny golden button edges



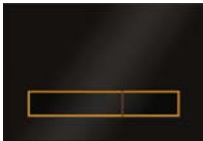
colour of plate	black mat
colour of buttons	black mat
size: Hi. x W. x D.	175 x 245 x 4 mm
Symbol	350/PPC/200-00-05



colour of plate	shiny white
colour of buttons	shiny white
size: Hi. x W. x D.	175 x 245 x 4 mm
Symbol	350/PPB/039-00-05

M08 V4

- Made of plastic
- Golden matte button edges



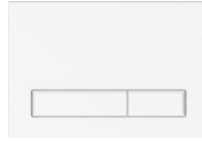
colour of plate	black mat
colour of buttons	black mat
size: Hi. x W. x D.	175 x 245 x 4 mm
Symbol	350/PPC/201-00-06



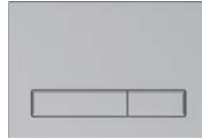
colour of plate	shiny white
colour of buttons	shiny white
size: Hi. x W. x D.	175 x 245 x 4 mm
Symbol	350/PPB/040-00-06

M08

- Made of plastic
- Monochrome flush plates



colour of plate	shiny white
colour of buttons	shiny white
size: Hi. x W. x D.	175 x 245 x 4 mm
Symbol	350/PPB/380-00-00



colour of plate	satin mat
colour of buttons	satin mat
size: Hi. x W. x D.	175 x 245 x 4 mm
Symbol	350/PPS/382-00-00



colour of plate	shiny chrome
colour of buttons	shiny chrome
size: Hi. x W. x D.	175 x 245 x 4 mm
Symbol	350/PPG/381-00-00



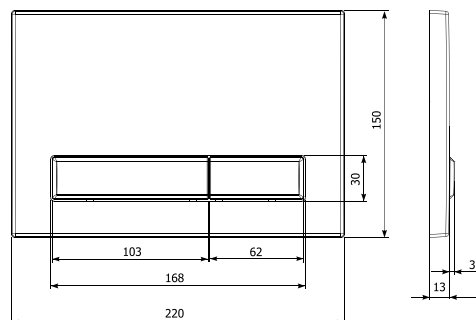
colour of plate	black mat
colour of buttons	black mat
size: Hi. x W. x D.	175 x 245 x 4 mm
Symbol	350/PPC/114-00-00



colour of plate	shiny golden
colour of buttons	shiny golden
size: Hi. x W. x D.	175 x 245 x 4 mm
Symbol	350/PPZ/035-00-00



colour of plate	golden mat
colour of buttons	golden mat
size: Hi. x W. x D.	175 x 245 x 4 mm
Symbol	350/PPZ/036-00-00



The letter „V“ in the names means buttons with chrome or gold rims.

M11 V1



- Made of plastic
- Chrome button ring

	colour of plate	black mat
	colour of buttons	black mat
	size: Hi. x W. x D.	150 x 220 x 13 mm
	Symbol	350/PPC/140-00-A0

	colour of plate	shiny white
	colour of buttons	shiny white
	size: Hi. x W. x D.	150 x 220 x 13 mm
	Symbol	350/PPB/110-00-00

	colour of plate	black mat
	colour of buttons	satin mat
	size: Hi. x W. x D.	150 x 220 x 13 mm
	Symbol	350/PPC/194-00-00

	colour of plate	shiny white
	colour of buttons	satin mat
	size: Hi. x W. x D.	150 x 220 x 13 mm
	Symbol	350/PPB/192-00-00

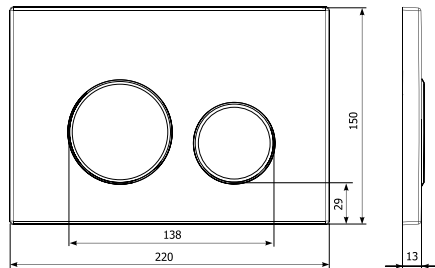
	colour of plate	black mat
	colour of buttons	shiny white
	size: Hi. x W. x D.	150 x 220 x 13 mm
	Symbol	350/PPC/119-00-00

	colour of plate	shiny white
	colour of buttons	black mat
	size: Hi. x W. x D.	150 x 220 x 13 mm
	Symbol	350/PPB/193-00-00

	colour of plate	shiny chrome
	colour of buttons	black mat
	size: Hi. x W. x D.	150 x 220 x 13 mm
	Symbol	350/PPG/190-00-00

	colour of plate	shiny chrome
	colour of buttons	shiny white
	size: Hi. x W. x D.	150 x 220 x 13 mm
	Symbol	350/PPG/153-00-00

	colour of plate	shiny chrome
	colour of buttons	satin mat
	size: Hi. x W. x D.	150 x 220 x 13 mm
	Symbol	350/PPG/139-00-A0



M11 V3



- Made of plastic
- Shiny gold button edges

	colour of plate	black mat
	colour of buttons	black mat
	size: Hi. x W. x D.	150 x 220 x 13 mm
	Symbol	350/PPC/202-00-05

	colour of plate	shiny white
	colour of buttons	shiny white
	size: Hi. x W. x D.	150 x 220 x 13 mm
	Symbol	350/PPB/041-00-05

M11 V4



- Made of plastic
- Golden matte button edges


	colour of plate	black mat
	colour of buttons	black mat
	size: Hi. x W. x D.	150 x 220 x 13 mm
	Symbol	350/PPC/203-00-06

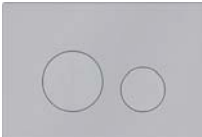
	colour of plate	shiny white
	colour of buttons	shiny white
	size: Hi. x W. x D.	150 x 220 x 13 mm
	Symbol	350/PPB/042-00-06


The letter „V“ in the names means buttons with chrome or gold rims.


M11


- Made of plastic
- Monochrome flush plates


	colour of plate	shiny white
	colour of buttons	shiny white
	size: Hi. x W. x D.	150 x 220 x 13 mm
	Symbol	350/PPB/103-00-00

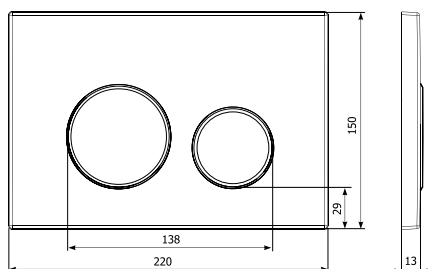
	colour of plate	satin mat
	colour of buttons	satin mat
	size: Hi. x W. x D.	150 x 220 x 13 mm
	Symbol	350/PPS/108-00-00

	colour of plate	shiny chrome
	colour of buttons	shiny chrome
	size: Hi. x W. x D.	150 x 220 x 13 mm
	Symbol	350/PPG/109-00-00

	colour of plate	black mat
	colour of buttons	black mat
	size: Hi. x W. x D.	150 x 220 x 13 mm
	Symbol	350/PPC/005-00-00

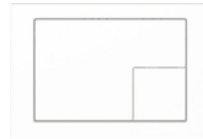
	colour of plate	shiny golden
	colour of buttons	shiny golden
	size: Hi. x W. x D.	150 x 220 x 13 mm
	Symbol	350/PPZ/037-00-00

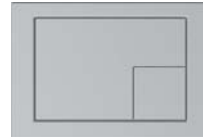
	colour of plate	golden mat
	colour of buttons	golden mat
	size: Hi. x W. x D.	150 x 220 x 13 mm
	Symbol	350/PPZ/038-00-00

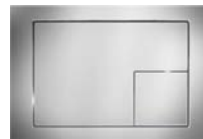


M10


- Made of plastic
- Monochrome flush plates

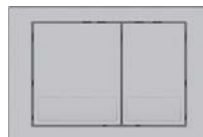
	colour of plate	shiny white
	colour of buttons	shiny white
	size: Hi. x W. x D.	150 x 220 x 13 mm
	Symbol	350/PPB/104-00-00


	colour of plate	satin mat
	colour of buttons	satin mat
	size: Hi. x W. x D.	150 x 220 x 13 mm
	Symbol	350/PPS/107-00-00

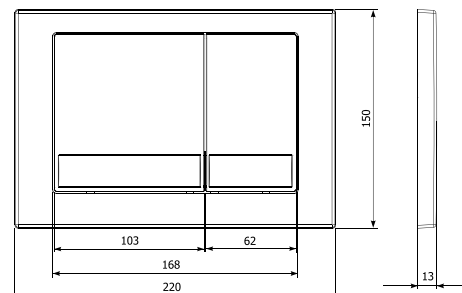
	colour of plate	shiny chrome
	colour of buttons	shiny chrome
	size: Hi. x W. x D.	150 x 220 x 13 mm
	Symbol	350/PPG/106-00-00

M06

	colour of plate	shiny white
	colour of buttons	shiny white
	size: Hi. x W. x D.	150 x 220 x 13 mm
	Symbol	350/PPB/030-00-00

	colour of plate	satin mat
	colour of buttons	satin mat
	size: Hi. x W. x D.	150 x 220 x 13 mm
	Symbol	350/PPS/029-00-00

	colour of plate	shiny chrome
	colour of buttons	shiny chrome
	size: Hi. x W. x D.	150 x 220 x 13 mm
	Symbol	350/PPG/028-00-00



M01



colour of plate	shiny white
colour of buttons	shiny white
size: Hi. x W. x D.	167,6 x 227 x 18 mm
Symbol	350/PPB/083-00-00



colour of plate	satin mat
colour of buttons	satin mat
size: Hi. x W. x D.	167,6 x 227 x 18 mm
Symbol	350/PPS/353-00-00



colour of plate	shiny chrome
colour of buttons	shiny chrome
size: Hi. x W. x D.	167,6 x 227 x 18 mm
Symbol	350/PPG/179-00-00

M02



colour of plate	shiny white
colour of buttons	shiny white
size: Hi. x W. x D.	167,6 x 227 x 18 mm
Symbol	350/PPB/354-00-00



colour of plate	satin mat
colour of buttons	satin mat
size: Hi. x W. x D.	167,6 x 227 x 18 mm
Symbol	350/PPS/357-00-00



colour of plate	shiny chrome
colour of buttons	shiny chrome
size: Hi. x W. x D.	167,6 x 227 x 18 mm
Symbol	350/PPG/355-00-00

M03



colour of plate	shiny white
colour of buttons	shiny white
size: Hi. x W. x D.	167,6 x 227 x 18 mm
Symbol	350/PPB/358-00-00

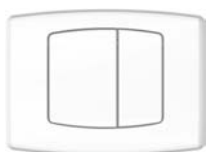


colour of plate	satin mat
colour of buttons	satin mat
size: Hi. x W. x D.	167,6 x 227 x 18 mm
Symbol	350/PPS/360-00-00



colour of plate	shiny chrome
colour of buttons	shiny chrome
size: Hi. x W. x D.	167,6 x 227 x 18 mm
Symbol	350/PPG/359-00-00

M04



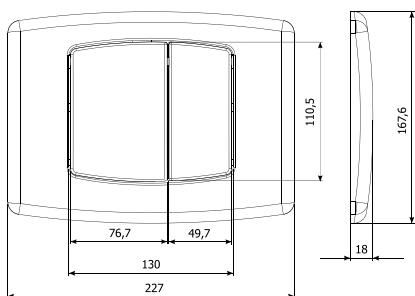
colour of plate	shiny white
colour of buttons	shiny white
size: Hi. x W. x D.	167,6 x 227 x 18 mm
Symbol	350/PPB/361-00-00



colour of plate	satin mat
colour of buttons	satin mat
size: Hi. x W. x D.	167,6 x 227 x 18 mm
Symbol	350/PPS/363-00-00



colour of plate	shiny chrome
colour of buttons	shiny chrome
size: Hi. x W. x D.	167,6 x 227 x 18 mm
Symbol	350/PPG/362-00-00

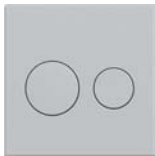


P01

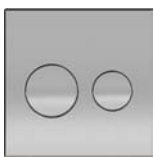
- Plastic square flush plates designed for pre-wall installation systems for WC: KK-POL UNI



colour of plate	shiny white
colour of buttons	shiny white
size: Hi. x W. x D.	190 x 190 x 13 mm
Symbol	350/PPB/006-00-00



colour of plate	satine mat
colour of buttons	satine mat
size: Hi. x W. x D.	190 x 190 x 13 mm
Symbol	350/PPS/007-00-00



colour of plate	shiny chrome
colour of buttons	shiny chrome
size: Hi. x W. x D.	190 x 190 x 13 mm
Symbol	350/PPG/009-00-00

P01 V1

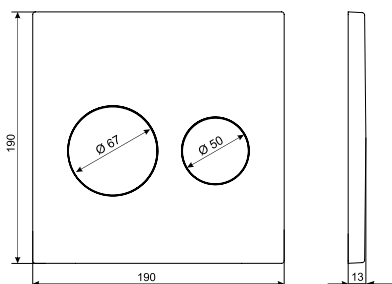
- Plastic square flush plates designed for pre-wall installation systems for WC: KK-POL UNI
- Chrome button ring



colour of plate	shiny white
colour of buttons	shiny white
size: Hi. x W. x D.	190 x 190 x 13 mm
Symbol	350/PPB/002-00-00



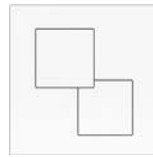
colour of plate	black mat
colour of buttons	black mat
size: Hi. x W. x D.	190 x 190 x 13 mm
Symbol	350/PPC/004-00-00



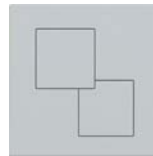
The letter „V” in the names means buttons with chrome or gold rims.

P02

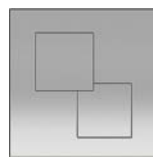
- Plastic square flush plates designed for pre-wall installation systems for WC: KK-POL UNI



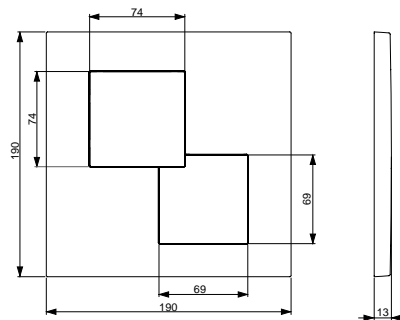
colour of plate	shiny white
colour of buttons	shiny white
size: Hi. x W. x D.	190 x 190 x 13 mm
Symbol	350/PPB/012-00-00



colour of plate	satine mat
colour of buttons	satine mat
size: Hi. x W. x D.	190 x 190 x 13 mm
Symbol	350/PPS/005-00-00



colour of plate	shiny chrome
colour of buttons	shiny chrome
size: Hi. x W. x D.	190 x 190 x 13 mm
Symbol	350/PPG/005-00-00



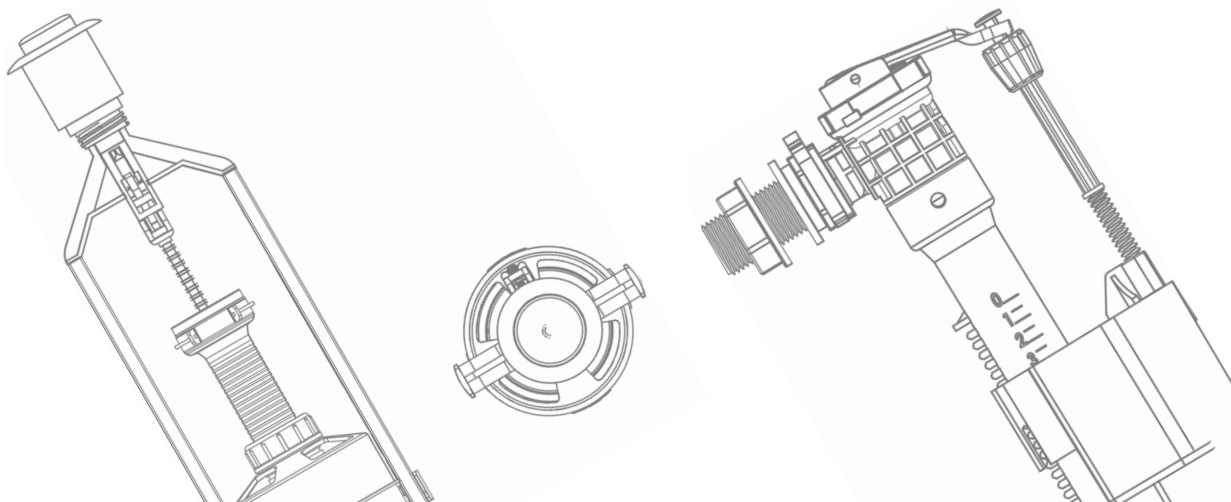
Inlet and flush valves

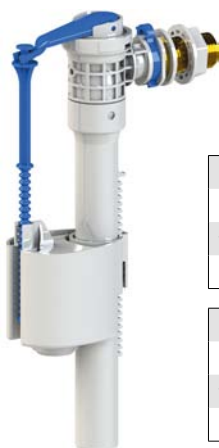
Over 20 years KK-POL has introduced several models of inlet valves. At the same time, the valves were constantly improved to manufacture a product characterized by highest functional and technical parameters. The valves meet all the requirements specified in PN-EN 14124:2005 standard.

High quality inlet valve ZN3 features water saving Water Stop function and adjustable filling height.

The flush valves allow setting the optimal volume of water used when a toilet is flushed. It reduces – with all kinds of bathroom ceramics – the amount of water per flushing and helps maintain cleanliness. All of our flush valves are universal and fit most types of toilet cisterns.

Ensuring high quality and reliability of the valves is carried out by monitoring the production process according to ISO 9001 quality management system as well as cyclic CSTB audits. The reproducibility of the product is confirmed in 100% by the inspection of products during their production process.

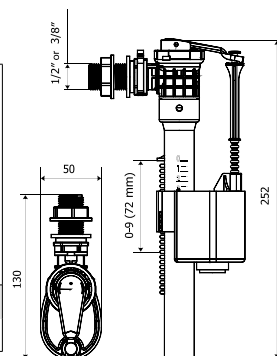




ZN3 – SIDE INLET FILL VALVE

- Cutting edge inlet valve with Water Stop function
- Step adjustment of the filling level

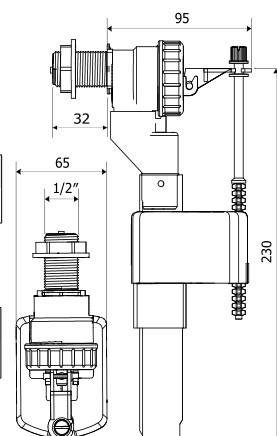
size: Hi. x W. x D.	252 x 130 x 50 mm			UNIVERSAL ZN3 VALVE
location of the valve	side			
valve 1/2"		POM	brass	
Symbol		350/ZN3/116-00-T0	350/ZN3/117-00-T0	
valve 3/8"				
Symbol		350/ZN3/118-00-T0	350/ZN3/119-00-T0	
size: Hi. x W. x D.	252 x 130 x 50 mm			POM
location of the valve	side			
valve 1/2"				
Symbol		350/ZN3/092-00-T1		



ZN2 – SIDE INLET FILL VALVE

- Hydrodynamic inlet valve
- Flush volume adjustability

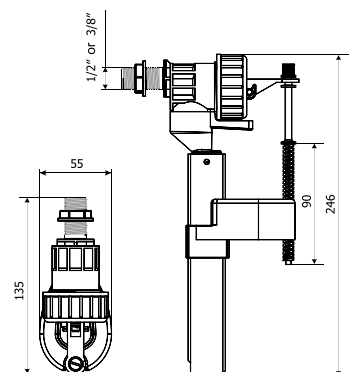
size: Hi. x W. x D.	250 x 127 x 65 mm			
location of the valve	side			
valve 1/2"		PP	chrome	brass
Symbol		350/ZN2/105-00-T0	350/ZN2/106-00-T0	350/ZN2/102-00-T0
valve 3/8"				
Symbol		350/ZN2/110-00-T0	350/ZN2/108-00-T0	350/ZN2/109-00-T0
size: Hi. x W. x D.	250 x 127 x 65 mm			
location of the valve	side			
valve 1/2"		ABS	chrome	brass
Symbol		350/ZN2/110-00-T0	350/ZN2/108-00-T0	350/ZN2/109-00-T0



ZN4 – SIDE INLET FILL VALVE

- Flush volume adjustability
- Increased water shut-off force due to the new float design

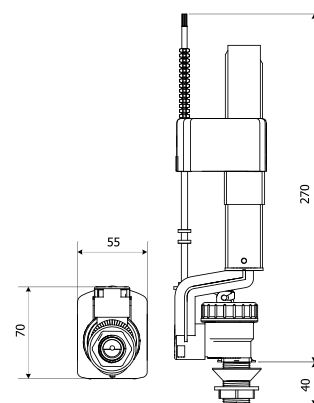
size: Hi. x W. x D.	246 x 135 x 55 mm	
location of the valve	side	
valve 1/2"		PP
Symbol		350/ZN4/122-00-T0
valve 3/8"		
Symbol		350/ZN4/121-00-T0



ZND – BOTTOM INLET FILL VALVE

- For ceramic close coupled toilets with cistern bottom inlet valves
- Low noise valve operation

size: Hi. x W. x D.	310 x 70 x 55 mm		
location of the valve	from the bottom		
valve 1/2"		PP	brass
Symbol		350/ZND/111-00-T0	350/ZND/110-00-T0
valve 3/8"			
Symbol		350/ZND/112-00-T0	350/ZND/113-00-T0
size: Hi. x W. x D.	310 x 70 x 55 mm		
location of the valve	from the bottom		
valve 1/2"		ABS	brass
Symbol		350/ZND/112-00-T0	350/ZND/113-00-T0

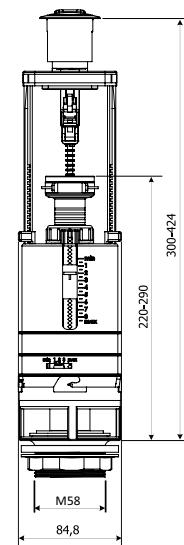
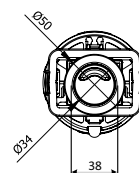


DUO MAX – DUAL-FLUSH VALVE

- For close coupled toilets with the height ranging from 300 to 420 millimetres
- Wide height adjustment range
- Moving button bushing



compatible with cisterns height	300 - 420 mm
diameter	84,8 mm
flush system	3 / 6 l
STOP system	no
flush button	2 option of flush
Symbol	350/ZSD/053-00-T0

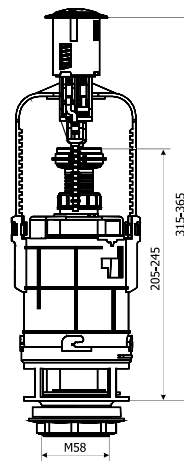
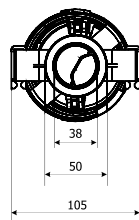


LOW HEIGHT DUAL-FLUSH VALVE 3/6 I

- For close coupled toilets with the height ranging from 315 to 365 millimetres and minimal fill level of 145 millimetres
- Wide height adjustment range



compatible with cisterns height	315 - 365 mm
diameter	105 mm
minimum fill level	145 mm
flush system	3 / 6 l
STOP system	no
flush button	2 option of flush
Symbol	350/ZSD/206-00-T0

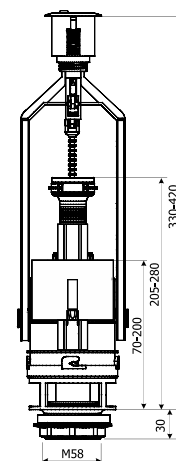
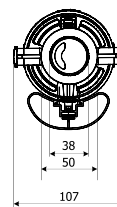


DUAL-FLUSH VALVE 3/6 I BIS

- For close coupled toilets with the height ranging from 330 to 420 millimetres and minimal fill level of 180 millimetres
- Wide height adjustment range



compatible with cisterns height	330 - 420 mm
diameter	107 mm
minimum fill level	180 mm
flush system	3 / 6 l
STOP system	no
flush button	2 option of flush
Symbol	350/ZSD/207-00-T0

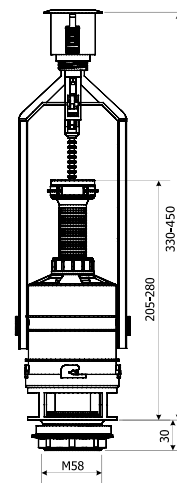
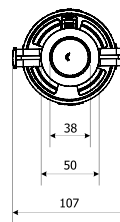


STOP COMPACT BIS – FLUSH VALVE

- For close coupled toilets with the height ranging from 330 to 450 millimetres and minimal fill level of 130 millimetres
- Wide height adjustment range
- Available with 2 types of buttons



compatible with cisterns height	330 - 450 mm
diameter	107 mm
minimum fill level	130 mm
flush system	6 l
STOP system	yes
flush button	2 option of flush
Symbol	350/ZSB/211-00-T0

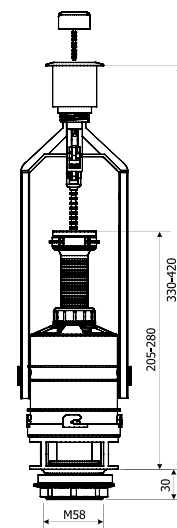
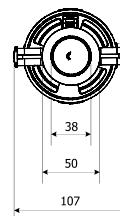


STOP BIS – FLUSH VALVE

- For close coupled toilets with the height ranging from 330 to 420 millimetres and minimal fill level of 130 millimetres
- Wide height adjustment range
- Available with 3 types of buttons



compatible with cisterns height	330 - 420 mm
diameter	107 mm
minimum fill level	130 mm
flush system	6 l
STOP system	yes
flush button	2 option of flush
Symbol	350/ZSS/211-00-T1

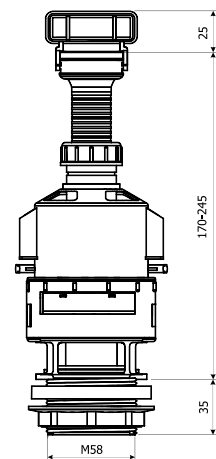
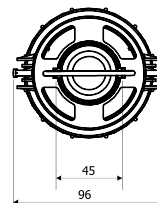


ADJUSTABLE FLUSH VALVE

- Universal valve for close coupled toilets and low level cisterns
- Adjustable length of overflow pipe
- Pull rod activation



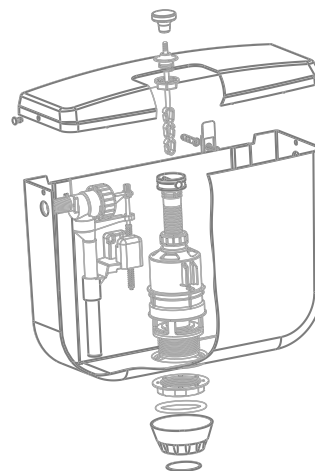
compatible with cisterns height	230 - 305 mm
diameter	96 mm
minimum fill level	150 mm
flush system	6 l
STOP system	yes
flush button	puller
Symbol	350/ZS0/200-00-T1



Toilet cisterns

Toilet cisterns manufactured by KK-POL can be adapted for low level or high level installation.

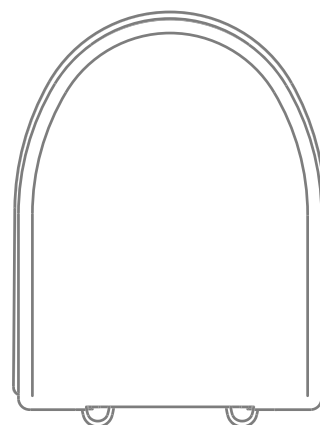
The toilet cisterns come with a set of valves and other accessories and elements necessary to complete their installation. They are made of discoloration and scratch resistant material and guarantee maximum water saving.



Toilet seats

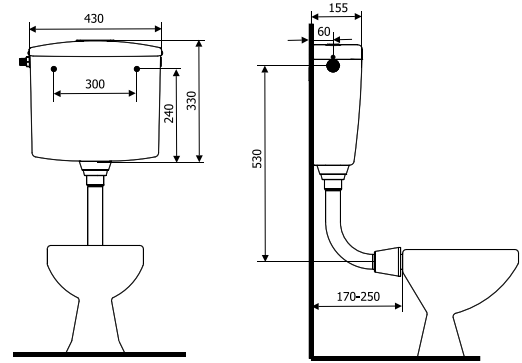
All the toilet seats manufactured by KK-POL are made of solid polypropylene plastic or ABS.

The products are resistant to deformation and mechanical damage and, due to their properties, guarantee long lasting colour.

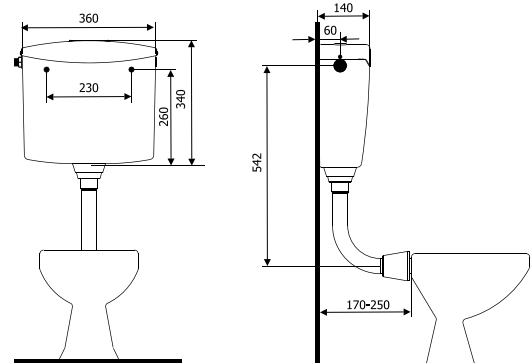


WC TOP PUSH WHITE CISTERN

- Large low level cisterns with 8 litres capacity ensuring high efficiency
- Adjustable flush volume
- Available with white or chrome button



size: Hi. x W. x D.	330 x 430 x 155 mm	330 x 430 x 155 mm	330 x 430 x 155 mm	330 x 430 x 155 mm	330 x 430 x 155 mm
capacity	8 l	8 l	8 l	8 l	8 l
type of cistern	low suspended	low suspended	low suspended	low suspended	low suspended
adjustment flush volume	yes	yes	yes	yes	yes
insulation	no	no	no	no	no
flush	push D button, STOP system	chrome push button, STOP system	white push button, STOP system	white handle	chrome handle
Symbol	350/SND/020-00-01	350/SND/027-00-01	350/SND/026-00-01	350/SND/021-00-01	350/SND/028-00-01



size: Hi. x W. x D.	340 x 360 x 140 mm	340 x 360 x 140 mm
capacity	6 l	6 l
type of cistern	low suspended	low suspended
adjustment flush volume	yes	yes
insulation	no	yes
flush	push M button, STOP system	push M button, STOP system
Symbol	350/SND/024-00-01	350/SND/025-00-01

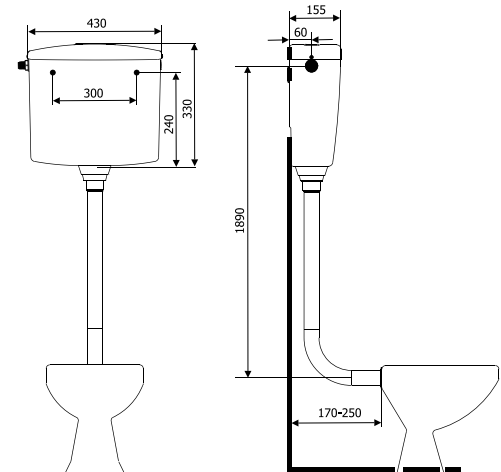
- Popular, small low level cistern
- Available with insulation reducing noise and condensation

HIGH LEVEL WC WHITE CISTERN

- Large high level cistern with chain pull
- Adjustable flush volume

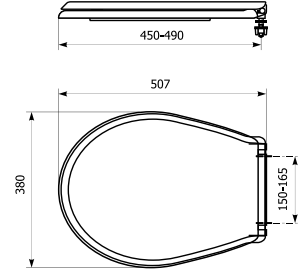


size: Hi. x W. x D.	330 x 430 x 155 mm
capacity	8 l
type of cistern	high suspended
adjustment flush volume	yes
insulation	no
flush	rope
Symbol	350/SNG/024-00-01



DS2 – TOILET SEAT

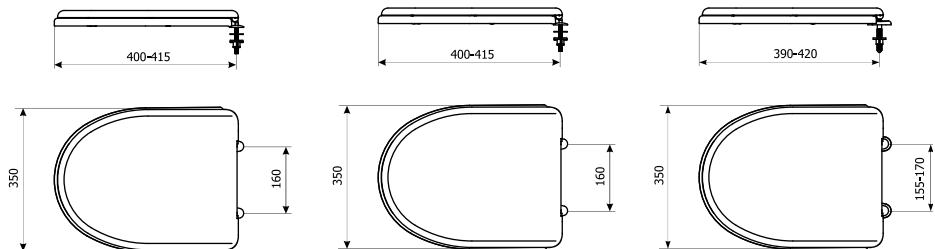
- Universal toilet seat made of polipropylene plastic
- Resistant to deformation and mechanical damage
- Guarantee of long lasting colour
- Low thermal conductivity to reduce „cold toilet seat” effect



length	450 - 490 mm
width	380 mm
distance between hinges	150 - 165 mm
hinges material	plastic
toilet seat material	PP
Symbol	350/DS2/027-00-01

DS3 – TOILET SEAT

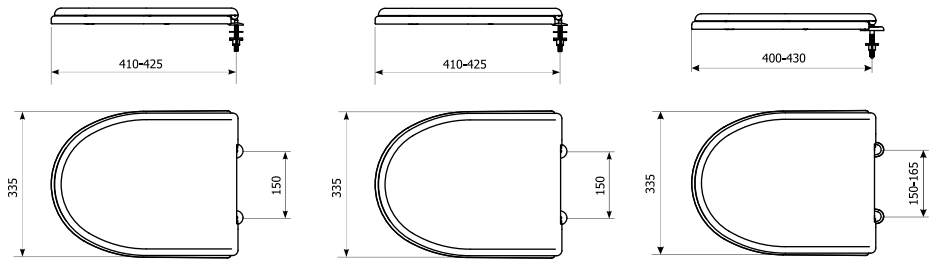
- Universal toilet seat made of polipropylene plastic or ABS (higher durability than PP)
- Resistant to deformation and mechanical damage
- Guarantee of long lasting colour
- Low thermal conductivity to reduce „cold toilet seat” effect



length	400 - 415 mm	400 - 415 mm	390 - 420 mm
width	350 mm	350 mm	350 mm
distance between hinges	160 mm	160 mm	155 - 170 mm
hinges material	metal	metal	plastic
toilet seat material	ABS	PP	PP
Symbol	350/DS3/020-00-N0	350/DS3/021-00-N0	350/DS3/036-00-N0

DS4 – TOILET SEAT

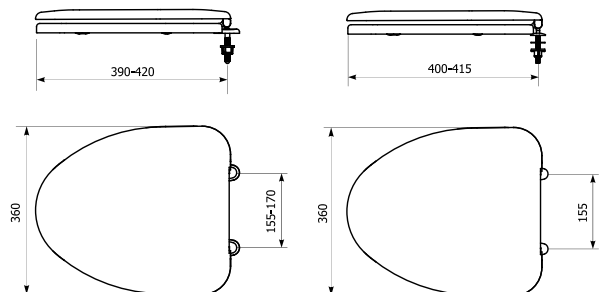
- Universal toilet seat made of polipropylene plastic or ABS (higher durability than PP)
- Resistant to deformation and mechanical damage
- Guarantee of long lasting colour
- Low thermal conductivity to reduce „cold toilet seat” effect



length	410 - 425 mm	410 - 425 mm	400 - 430 mm
width	335 mm	335 mm	335 mm
distance between hinges	150 mm	150 mm	150-165 mm
hinges material	metal	metal	plastic
toilet seat material	ABS	PP	PP
Symbol	350/DS4/033-00-K0	350/DS4/022-00-K0	350/DS4/019-00-K0

DS5 – TOILET SEAT

- Universal toilet seat made of polipropylene plastic
- Resistant to deformation and mechanical damage
- Guarantee of long lasting colour
- Low thermal conductivity to reduce „cold toilet seat” effect



length	390 - 420 mm	400 - 415 mm
width	360 mm	360 mm
distance between hinges	155 - 170 mm	155 mm
hinges material	plastic	metal
toilet seat material	PP	PP
Symbol	350/DS5/042-00-F0	350/DS5/035-00-F0

Accessories

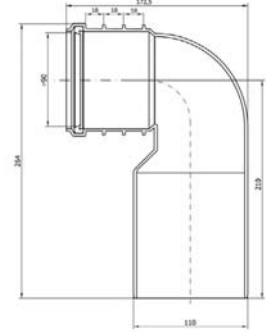
CONNECTION ACCESSORIES OF HUNG TOILET

Content:	
<ul style="list-style-type: none"> • connector DN90 (176 mm) with drainage seal • connector DN45 (176 mm) • inlet seal • security plug \varnothing 90 • plug of inlet pipe • bushings bolts • covers of bushings bolts • nuts M12 • flat washers M12 	
Symbol	350/ZPW/020-00-00



ADJUSTABLE BEND DN 90/110

for WC pre-wall frame	
Symbol	319/ZPW/015-00-00

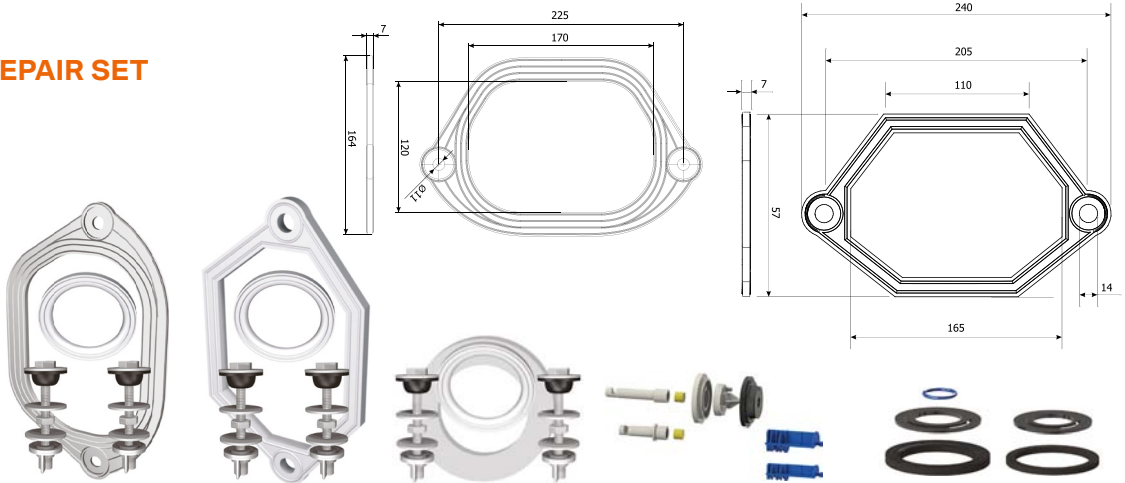


CONNECTION ACCESSORIES OF HUNG TOILET (EXTENDED)

Content:	
<ul style="list-style-type: none"> • connector DN90 (300 mm) with drainage seal • connector DN45 (300 mm) • inlet seal 	
Symbol	350/ZPW/022-00-00

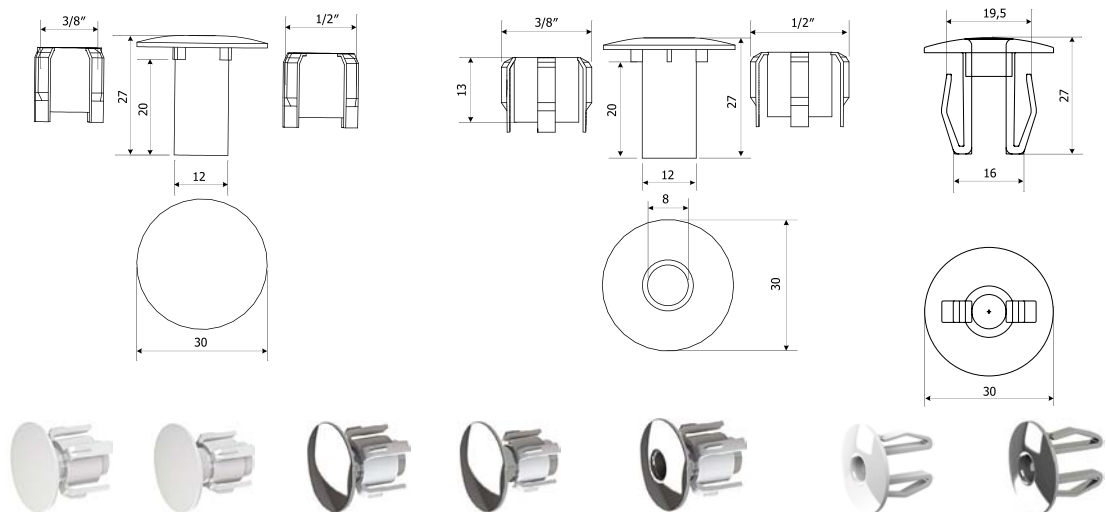


TOILET REPAIR SET



type	for E compact toilets	for K compact toilets	for U compact toilets	ZN - for inlet valves: ZN, ZN1, ZN2, ZN4, ZND	ZS - for flush valves
Symbol	350/K/012-00-B0	350/K/013-00-B0	350/K/018-00-B0	350/K/515-00-Z0	350/K/523-00-Z0

UNIVERSAL COVER FOR INLET HOLE

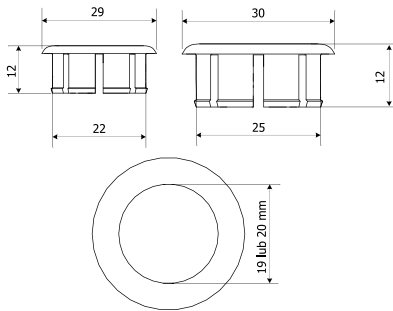


type	white		chrome		chrome with hole	BIS / with hole and latch	
	1/2"	3/8"	1/2"	3/8"	1/2"	white	chrome
Symbol	350/A/507-00-00	350/A/506-00-00	350/A/521-00-00	350/A/043-00-00	350/A/032-00-00	3/8"	
						319/A/046-00-00	319/A/047-00-00

DECORATIVE RING OF WASH-BASIN OVERFLOW



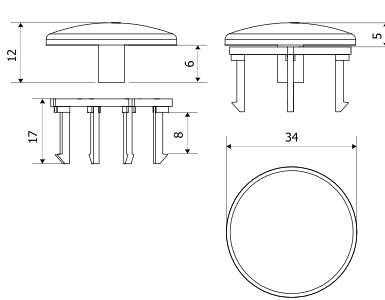
chrome	∅ 22 mm	∅ 25 mm
Symbol	350/A/067-00-Z0	350/A/068-00-Z0



COVER OF WASH-BASIN OVERFLOW



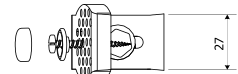
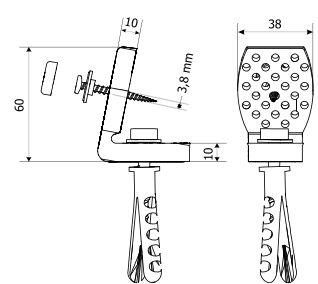
chrome	
Symbol	350/A/069-00-Z0



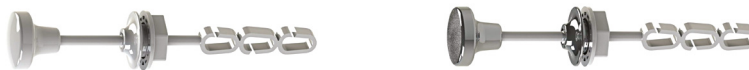
TOILET FIXING KIT



two fixing pieces with bolts in the set	
Symbol	350/A/335-00-00



HANDLE



type	white / with a scoop and guidewire	chrome / with a scoop and guidewire
Symbol	350/A/961-00-L0	350/A/986-00-L0

CHOKE

To limit the dynamics of the water in the rinsing pipe and eliminating water splashing in wall-hung rimless toilet bowls.



for pre-wall frame for WC	Standard, Premium, freestanding, low high, and for building into solid walls	Economic
Symbol	350/SP0/035-00-Z0	350/SP1/039-00-Z0

ANGLE VALVE



angle poppet valve ZG1 1/2" x 3/8" / brass	
Symbol	319/A/141-00-00

UNIVERSAL PAD



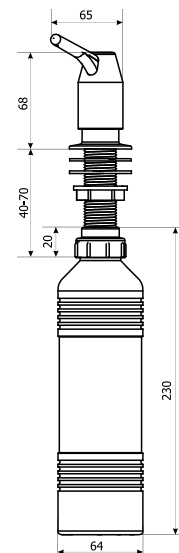
for wall-hung toilet and bidet bowl	
Symbol	350/A/108-00-00

Liquid dispensers

Counter mounted soap dispensers are ideal for a bathroom or kitchen use. Available in four colours.



type	white	chrome	satin	black
diameter mounting hole	∅ 21 mm	∅ 21 mm	∅ 21 mm	∅ 21 mm
capacity	0,5 l	0,5 l	0,5 l	0,5 l
Symbol	350/DPB/600-00-B0	350/DPG/601-00-B0	350/DPS/602-00-B0	350/DPC/603-00-B0





Office and Production Plant No. 1

ul. Warsztatowa 5
05-126 Noporeń, Stanisławów Pierwszy
Poland
phone: +48 22 774 88 48
+48 22 774 85 45
+48 22 772 45 71
fax: +48 22 774 75 26
e-mail: biuro@kkpol.com



facebook.com/kkpolkuczynscy

Sales Department and Production Plant No. 2

ul. Widoczna 34
05-462 Wiązowna, Majdan
Poland
phone: +48 22 789 06 23
+48 22 610 15 58
fax: +48 22 789 06 23
e-mail: handel@kkpol.com



kkpol.com/en